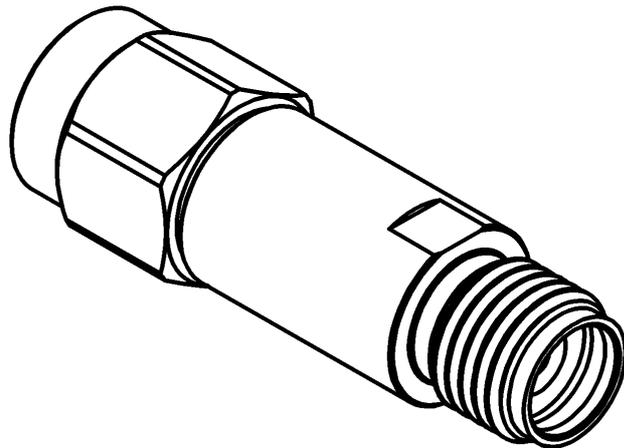
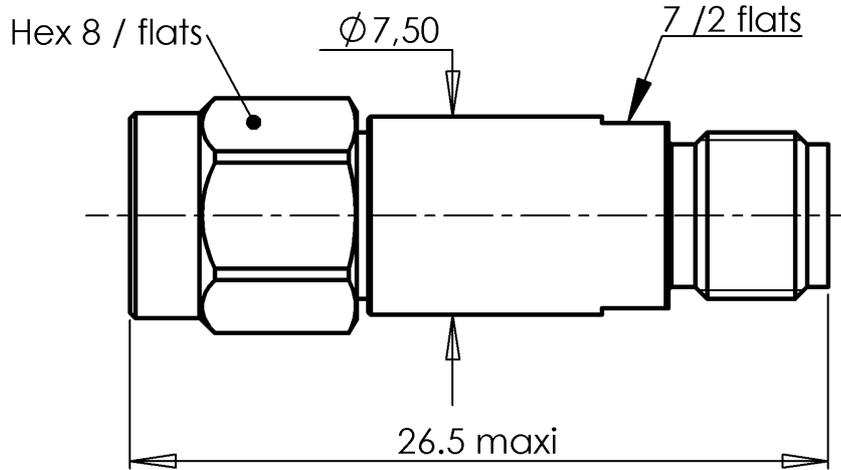


**COAXIAL ATTENUATOR SMA 2.9 DC-40GHZ**

**2W - 5DB**

**R413.305.000**

Series :  
**ATTENUATEUR**



Scale 1:1

Il dimensions are in mm.

COMPONENTS	MATERIALS	PLATING(µm)
<b>BODY</b>	<b>ACIER INOXYDABLE</b>	<b>PASSIVATION</b>
<b>MALE CENTER CONTACT</b>	<b>CUPRO BERYLLIUM</b>	<b>OR 1.3 SUR NICKEL 2</b>
<b>FEMALE CENTER CONTACT</b>	<b>CUPRO BERYLLIUM</b>	<b>OR 1.3 SUR NICKEL 2</b>
<b>OUTER CONTACT</b>	<b>ACIER INOXYDABLE</b>	<b>PASSIVATION</b>
<b>INSULATOR</b>		
<b>GASKET</b>	<b>ELASTOMERE SILICONE</b>	
<b>SUBSTRATE</b>	<b>CERAMIQUE D'ALUMINE</b>	
<b>RESISTOR</b>		
<b>OTHERS PARTS</b>		

Issue : 0741 C

In the effort to improve our products, we reserve the right to make changes judged to be necessary.

**COAXIAL ATTENUATOR SMA 2.9 DC-40GHZ**

**2W - 5DB**

**R413.305.000**

Series :  
**ATTENUATEUR**

**ELECTRICAL CHARACTERISTICS**

Frequency (GHz)	DC - 40
V.S.W.R (≤)	1.60 (1.4 typ.)
Deviation(±dB)	0.8

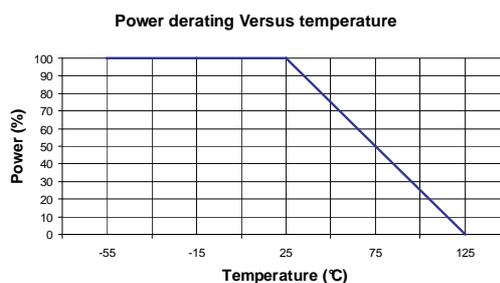
Operating Frequency Range	DC - 40	GHz
Impedance	50	Ω
Nominal Attenuation	5	dB
Peak power at 25°C (1μs, 1%)	100	W
Average power at 25°C	2	W (Free Air Cooled)

**MECHANICAL CHARACTERISTICS**

Connectors	SMA 2.9	Male Female	MIL-C 39012
Weight	6,5700 g		

**ENVIRONMENTAL CHARACTERISTICS**

Operating temperature range	-55/+125 °C
Storage temperature range	-55/+125 °C



**SPECIFICATION**

**OTHER CHARACTERISTICS**

Temperature sensitivity :  $4 * 10^{-4} \frac{\text{dB}}{\text{dB} * ^\circ\text{C}}$

Issue : 0741 C

In the effort to improve our products, we reserve the right to make changes judged to be necessary.